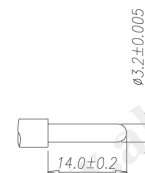


CATEGORY	DESCRIPTION	P/N #
CONNECTOR	RCA Jack 1*1 Part. R/A, T/H, with Shielding	RJ08BR-111X0-XX0B

REV.	ECN NO	DESCRIPTION	REVISED	DATE
A01		New Release	JackLiu	2010.12.15

SPECIFICATION

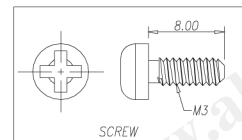
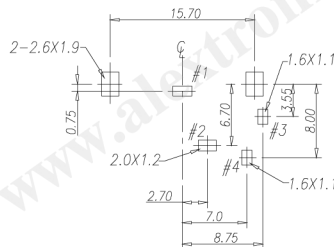
- Voltage and Current Rating: 12V & 1A
- Contact resistance: 30mΩ MAX.
- Insulation resistance: 100MΩ MIN. @ DC500V
- Withstand voltage: 500VAC for 1min
- Insertion Force: 3Kgf MAX.
- Extraction Force: 0.3Kgf MIN.
- Withdraw Force for Center Contact: 0.08Kgf MIN.
(Use a OD=3.2±0.005mm, Length=14±0.2mm Gauge Plug)
- Terminal Strength: The terminal shall be capable of withstanding a force of 3kgf applied in any direction for 0.5 secs without locking and breakdown
- Life test: 1,500 cycles
- Temperature Range: -25°C~70°C
- To conform with the "QC-03-045" & "RoHS DIRECTIVE"
- Solder heat resistance: wave soldering 260°C 5 secs



GAUGE PLUG



Schematic



SCREW

Color Scheme

XX	HOUSING	WASHER
02	BLACK	RED
05	BLACK	GREEN
06	BLACK	BLUE
09	BLACK	WHITE
14	BLACK	PURPLE
15	BLACK	GREY
16	BLACK	SHALLOW KHAKI
17	BLACK	BROWN

Recommend PCB Layout

(Jack Top View)

Tolerance: ±0.05mm

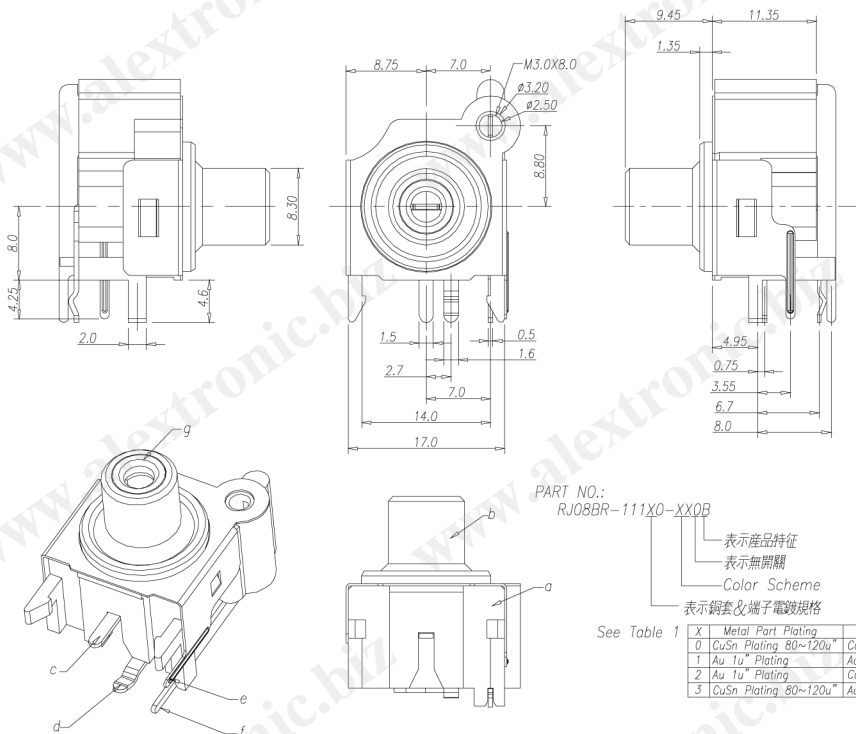
Recommend PCB Thickness: 1.6mm

PART NO.:
RJ08BR-111X0-XX0B

- 表示產品特征
- 表示無開關
- Color Scheme
- 表示銅套及端子電鍍規格

See Table 1

X	Metal Part Plating	Contact Plating
0	CuSn Plating 80~120u	CuSn Plating 80~120u
1	Au 1u Plating	Au 1u Plating
2	Au 1u Plating	CuSn Plating 80~120u
3	CuSn Plating 80~120u	Au 1u Plating



g	Washer	1	PBT UL94V-0	See Color Scheme	
f	Terminal #4	1	copper alloy	See Table 1	
e	Shielding	1	copper alloy	See Table 1	
d	Terminal #2	1	copper alloy	See Table 1	
c	Terminal #1	1	copper alloy	See Table 1	
b	metal part	1	copper alloy	See Table 1	
a	Housing	1	PA9T UL94V-0	Black	
NO.	PART NAME	Q'TY	MATERIAL	PLATING & COLOR	Remark

UNLESS OTHERWISE SPECIFIED TOLERANCES

DECIMALS: X : ±0.5 X.X : ±2 X.XX : ±0.3 X.XXX : ±0.2

Product Drawing			
ALEXTRONIC			
SCALE: 1/1	UNIT: mm	DWG. NO:	
SIZE: A3	PAGE: 1 OF 1	REV: A01	WI-061-991
APPROVED BY	CHECKED BY	PREPARED BY	
CUSTOMER COPY			